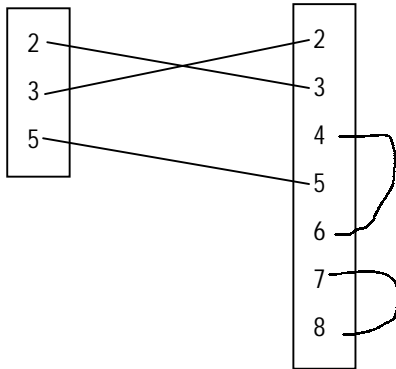


3. GM7/GM6/GM4 ↔ PMU

1) LOADER PORT in the CPU

GM7/GM6/GM4(9P)

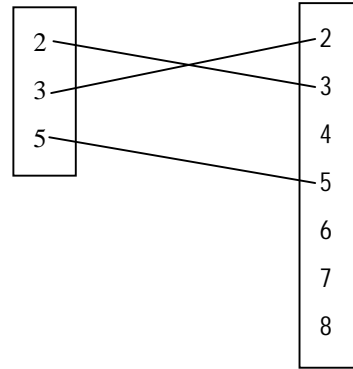
PMU200(9P)



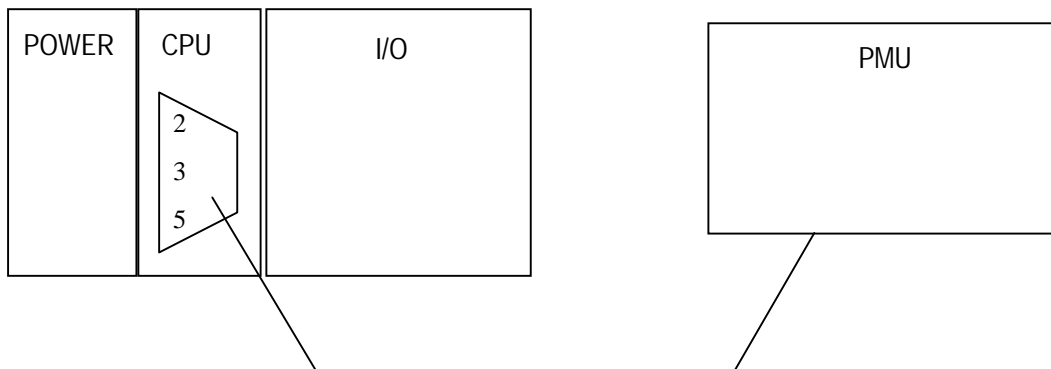
(CONNECTION DIAGRAM)

GM7/GM6/GM4(9P)

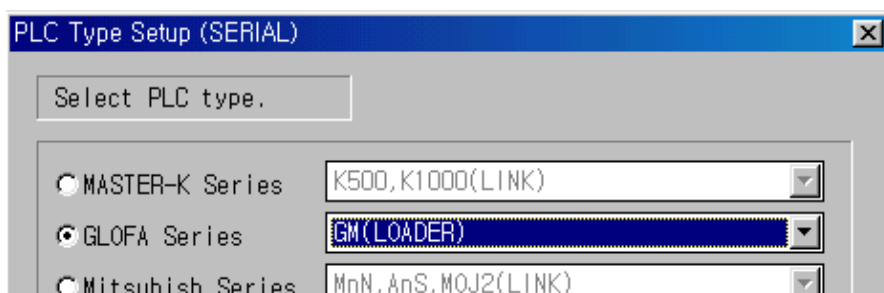
PMU300(9P)



(CONNECTION DIAGRAM)



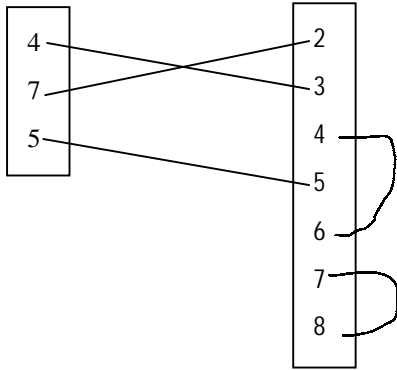
LINK EDITOR SETTING



2) C-NET PORT in the CPU

GM7/GM6/GM4(9P)

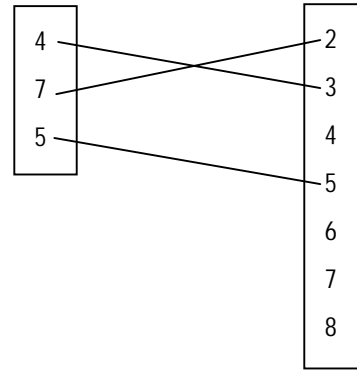
PMU200(9P)



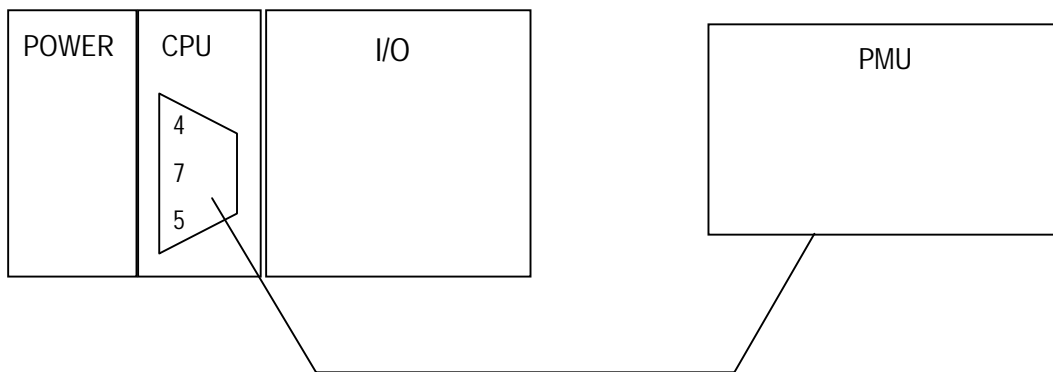
(CONNECTION DIAGRAM)

GM7/GM6/GM4(9P)

PMU300(9P)



(CONNECTION DIAGRAM)

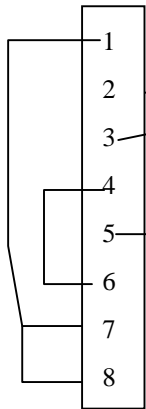


LINK EDITOR SETTING

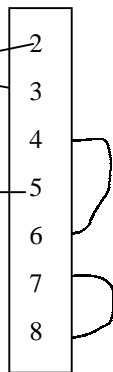


3) C-NET MODULE (G7L-CUEB, G6L-CUEB, G4L-CUEA)

C-NET Module(9P)

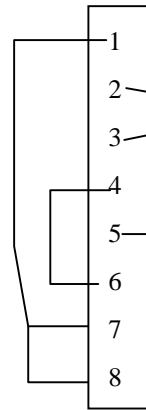


PMU200(9P)

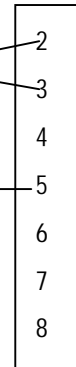


(CONNECTION DIAGRAM)

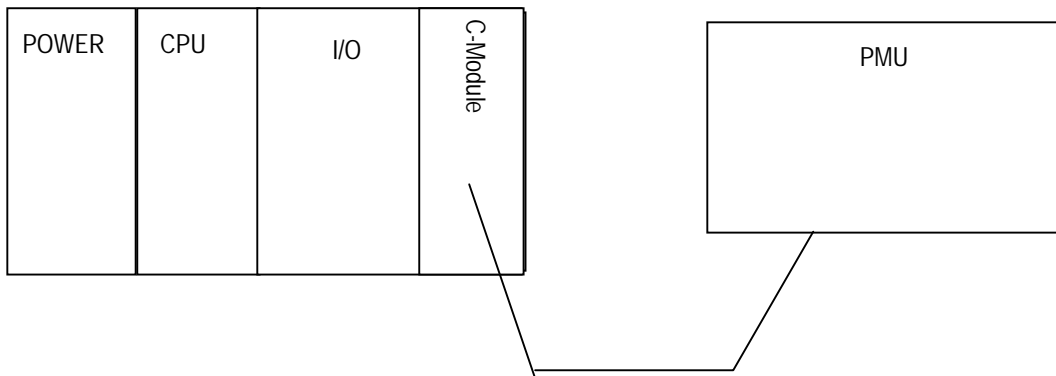
C-NET Module(9P)



PMU300(9P)



(CONNECTION DIAGRAM)



LINK EDITOR SETTING

